

*Instructions for work  
Betriebsanleitung*

*List of spare parts  
Ersatzteilliste*



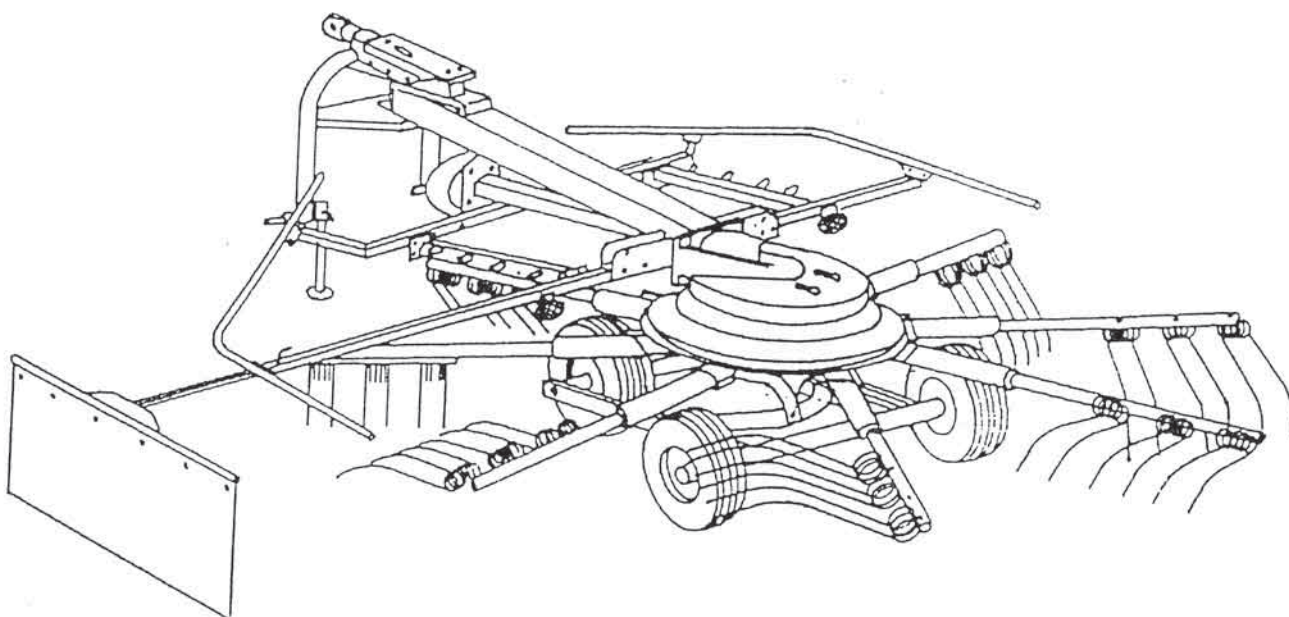
# SIP

# STAR

## 340

rotary windrower

kreiselschwader



Ab masch. Nr.:  
From mach Nr.:  
STAR 340 = 011



# SIP

STROJNAINDUSTRIJA d.d.  
3311 Šempeter v Savinjski dolini  
Slovenija

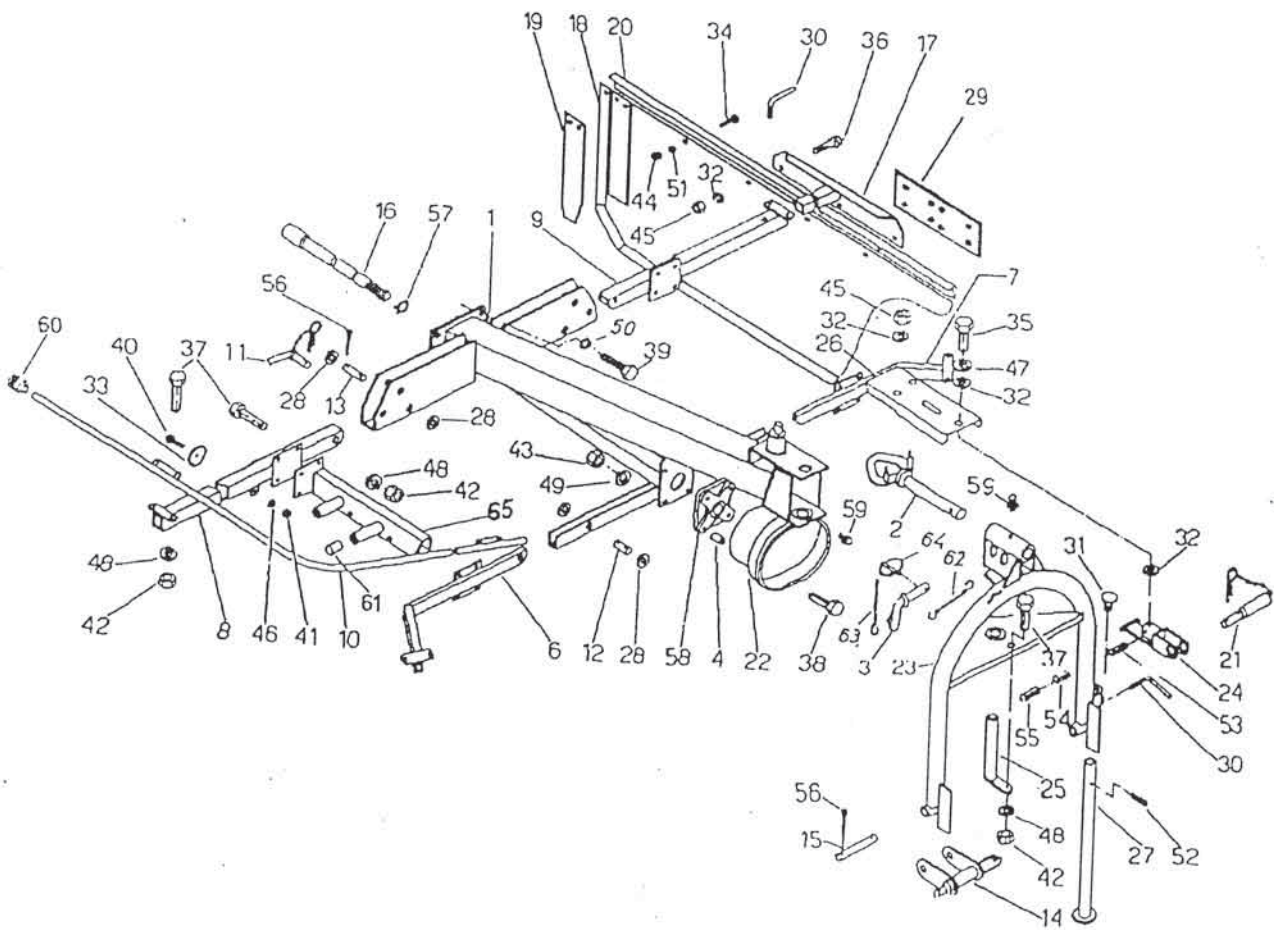
1997/1998  
Tel: +386 (03) 7038 500  
Fax: +386 (03) 7038 663  
+386 (03) 7038 674

154222308

No. on the figure Numer anzeichn.	Catalogue no. Katalog nummer	Description	Benennung	Quantity Stück
1	152702007-343.03.001.0	Hitch welded		1
2	152703104-343.03.015.0	Metal		1
3	152931607-345.00.014.0	Bolt		1
4	152703300-343.03.020.0	Sleeve		1
6	152704309-343.04.006.0	Tube right		4
7	152704504-343.04.009.0	Tube left		1
8	152704700-343.04.012.0	Tube right		1
9	152705004-343.04.016.0	Tube left		1
10	152705200-343.04.019.0	Protection tube		1
11	152705406-343.04.022.0	Bolt		2
12	152705601-343.04.024.0	Bolt		2
13	152705709-343.04.025.0	Bolt		2
14	152770308-346.02.005.0	Hitch		2
15	151576805-327.03.030.0	Bolt		2
16	151576913-327.03.031.1	Shaft		2
17	151579431-327.06.001.3	Curtain holder		1
18	151579822-327.06.006.2	Curtain		1
19	151668315-327.06.007.1	Spriong		1
20	151925304-327.06.010.0	Curtain angle		3
21	152595115-338.03.006.1	Bolt		1
22	152595301-338.03.011.0	P.T.O Shaft protection		1
23	152486303-340.05.011.0	Bow		1
24	152487106-340.05.020.0	Eye		1
25	152488105-340.05.034.0	Axle		1
26	152589504-340.05.040.0	Protection		1
27	152703408-342.03.011.0	Support leg		1
28	151058303-200.06.013.5	Metal		1
29	152771708-346.04.001.0	Intermediate metal		8
30	151048306-200.14.014.5	Screw		1
31	151007922-510-02.054.2	Cover		2
32	151159908-TN 01	Washer		1
33	150132500-16524	Reflection plate		13
34	000207608	Screw M6x15 8.8 Zn		2
35	000208304	Screw M8x15 5.6 Zn		8
36	000254101	Screw M8x25 8.8 Zn		1
37	000210300	Screw M10x25 8.8 Zn		8
38	150165902	Screw M12x60 8.8 Zn		25
39	150067402	Screw M16x35 8.8 Zn		4
40	000215109	Screw M5x20 4.6 Zn		4
41	000220200	Nut M5 5 Zn		2
42	000221307	Nut M10 8 Zn		2
43	150160300	Nut M12 8 Zn		25
44	000250506	Nut M6 5 Cd		4
45	000250800	Nut M8 5 Cd		8
46	000226703	Washer A5 Zn		10
47	000228202	Washer B8 Zn		2
48	000228408	Washer B10 Zn		1
49	000228603	Washer B12 Zn		25
50	000251505	Washer B16 Zn		4
51	000226106	Washer 7		4
52	000232803	Pin 5x40		8
53	150192801	Pin 5x60		1
54	000234605	Pin 8x60		1
55	150192605	Pin 13x60		1
56	000240000	Cotter 5x32 Zn		1
57	000237602	Circlip 35		12
58	150175704-FKL	Bearing		1
59	000246601	Lubricator A M8x1		1
60	152700205-343.00.021.0	Tab		3
61	150219702	Tab		4
62	152903709-516.00.020.0	Chain		8
63	152926203-516.05.054.0	Chain		2
64	151027702-302.00.000.5	Pin		1
65	152703907-343.04.001.0	Arm		1
				2

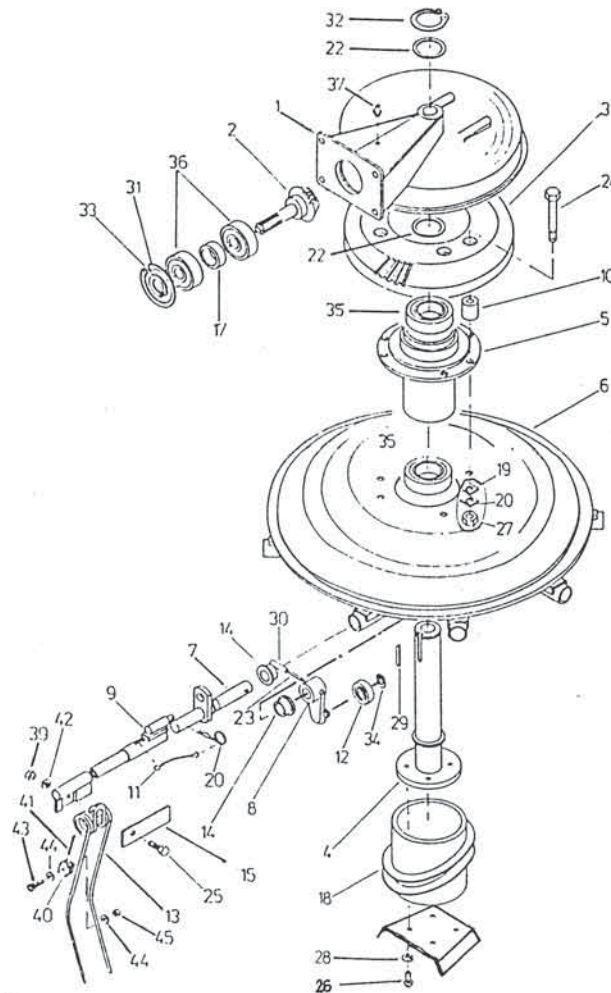
Fig A

Fig A



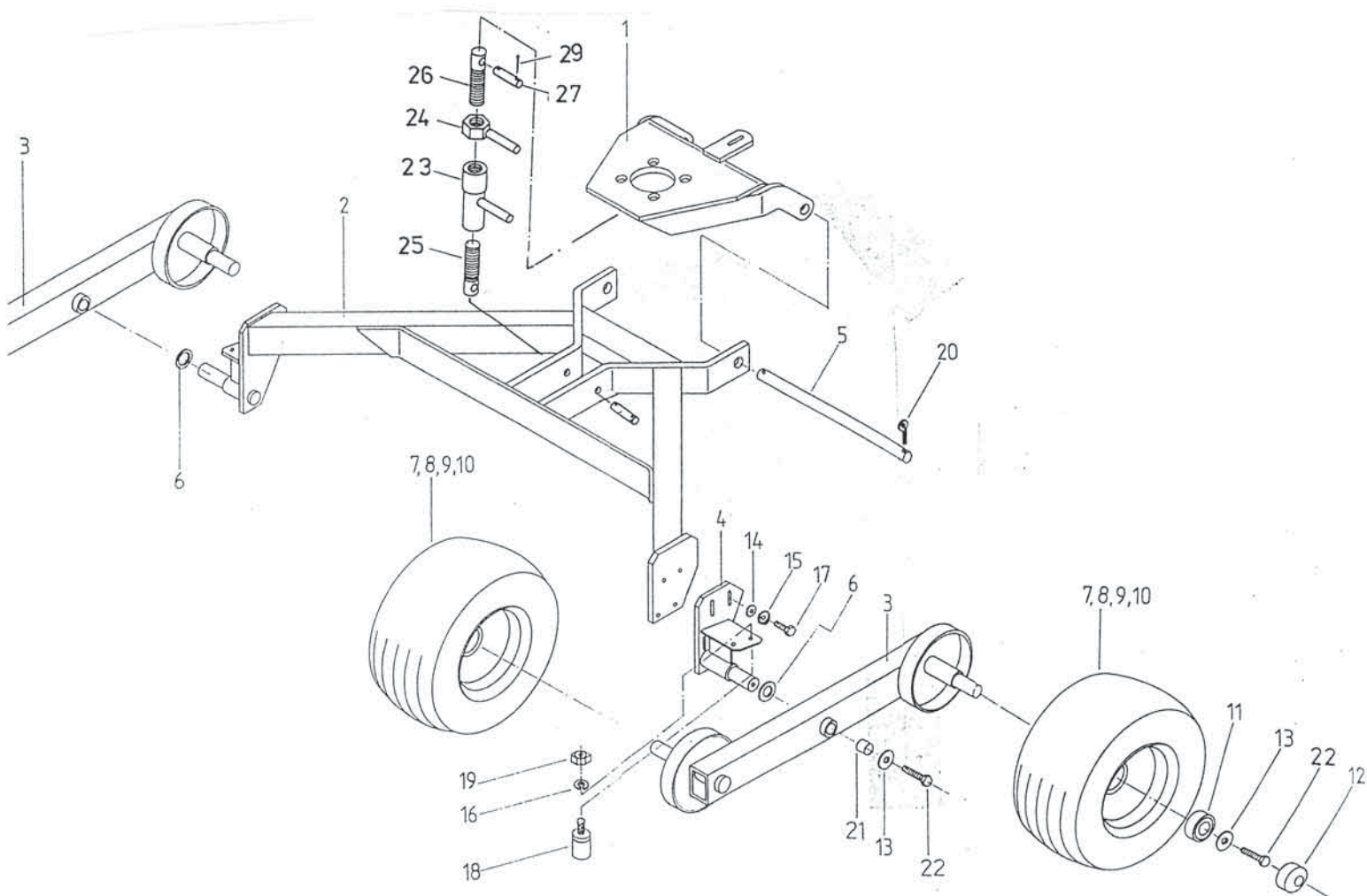
No.on the figure Numer anzeichn.	Catalogue no. Katalog nummer	Description	Benennung	Quantity Stück
1	153431101-376.01.005.0	Housing		1
2	153432208-376.01.006.0	Pinion 3-12/4		1
3	153656403-372.01.031.0	Pinion 2-91/4		1
4	153432404-376.01.008.0	Shaft		1
5	153432815-376.01.012.1	Housing		1
6	151567209-327.01.001.0	Rotor		1
7	151938201-338.01.005.0	Bar		1
8	151568511-327.01.018.1	Handle		8
9	152379704-342.00.002.0	Tube		8
10	153434304-376.01.028.0	Sleeve		6
11	153245704-342.00.015.0	Chain		8
12	150107501-464.11.200.0	Bearing		8
13	152380408-342.00.009.0	Spring		24
14	151570106-327.01.039.0	Sleeve-plastic		16
15	152380202-342.00.007.0	Band		8
17	151570008-327.01.038.0	Sleeve		1
18	151570929-327.01.046.2	Housing		1
19	151019203-510.04.025.0	Band		3
20	153826006-342.00.030.0	Wire		8
22	151014501-455.05.056.0	Washer 50/61,8		2
23	000234400	Pin		8
24	150046006	Screw M16x75 8.8 Zn		6
25	000248805	Screw M12x65 8.8 Zn		24
26	000214100	Screw M16x30 8.8		4
27	150367908	Nut M16 8 Cd		6
28	000228701	Washer B16		4
29	150323803	Cotter		1
30	150066109	Pin 10x15		8
31	000236505	Cirelip 72		1
32	000255805	Cirelip 50		1
33	000237602	Cirelip 35		1
34	000237407	Cirelip 25		8
35	000245005	Bearing 6210 2Z		2
36	000244006	Bearing 6207 2 Z		2
37	000246905	Lubricator AM 10x1		1
39	000250604	Nut M12		24
40	151798200-334.00.011.0	Clamp		8
41	151798308-334.00.012.0	Seile		24
42	000228603	Washer		24
43	000209205	Screw M8x30 8.8 Zn		48
44	151159908-TN 01	Washer 8,5/24-1.5 Zn		96
45	000250800	Nut M8 5 Cd		48

Fig B



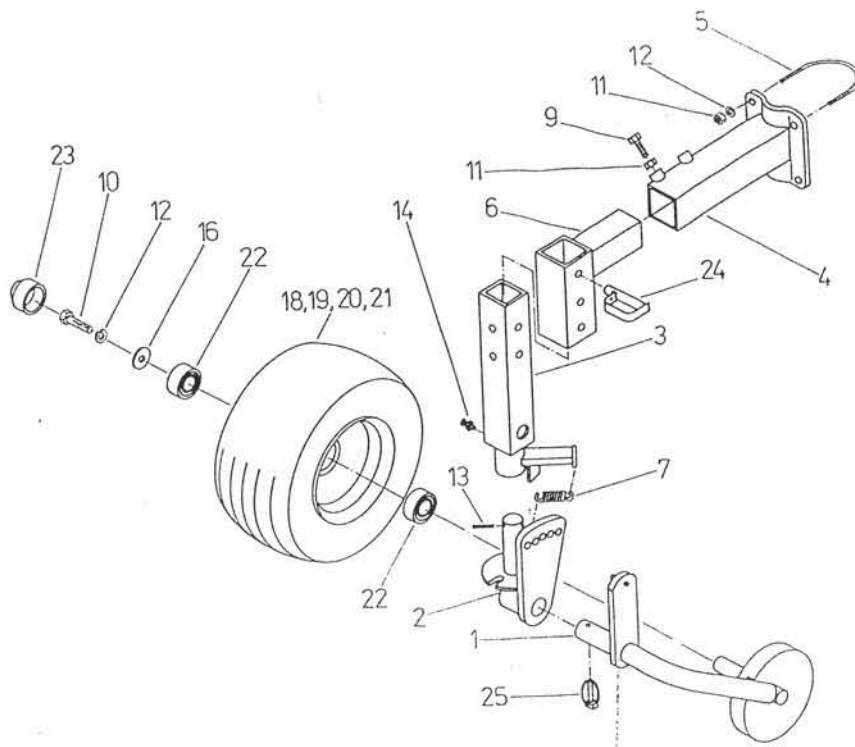
No. on the figure Numer anzeichn.	Catalogue no. Katalog nummer	Description	Benennung	Quantity Stück
1	153832106-343.70.001.0	Link		1
2	154173209-390.07.001.0	Frame		1
3	154032406-381.70.001.0	Bar		2
4	154032905-381.70.006.0	Bracket		1
5	154032200-372.70.006.0	Bar		1
6	151479901-590.05.024.0	Washer		2
7	150405207-MEFRO	Wheel 15x6.00		4
8	150257000	Tyre 15x6.00-6 4PR		4
9	150257108	Pneumatics 15x6		4
10	150405305	Rim 4.5x6.00		4
11	000255208	Bearing KR 6505 2 RS		8
12	155472507	Cover Ø52 MEFRO		4
13	150257304	Washer 13		6
14	000224304	Washer A10		4
15	000230100	Washer A10		4
16	000228202	Washer B8		4
17	000210300	Screw M10x25 8.8		4
18	150399009-SAVA PTUJ	Bumper 86970		4
19	000220905	Nut M8 8 Zn		4
20	000240000	Cotter 5x32 Zn		2
21	150406803-INA	Sleeve PAP 30 30 P 10		4
22	150087202	Screw M12x25 8.8 Zn		6
23	153815802-372.20.014.0	Nut Zn		1
24	153816507-372.20.022.0	Nut		1
25	153832507-343.70.005.0	Screw M24		1
26	153832605-343.70.006.0	Screw M24		1
27	152165800-520.06.024.0	Bolt 5		1
28	151803702-330.01.096.0	Bolt		1
29	000239003	Cotter 4x25		4

Fig C



No.on the figure Numer anzeichn.	Catalogue no. Katalog nummer	Description	Benennung	Quantity Stück
1	154026805-374.72.002.0	Wheel bow right		1
2	154027001-374.72.004.0	Bracket		1
3	154027608-374.72.008.0	Holder		1
4	154028108-374.72.014.0	Tube		1
5	154028304-374.72.020.0	Stirrup Zn		2
6	154110401-374.72.021.0	Holder 2		1
7	151780406-152.09.120.0	Spring 2		2
9	159445004	Screw M12x40 8.8 Zn		2
10	150087202	Screw M12x25 8.8 Zn		1
11	150160300	Nut M12 8 Zn		6
12	000228603	Washer B12 Zn		5
13	000233401	Pin 6x36		1
14	000246601	Nipple AM 8x1		1
16	151006002-TN 01	Washer 13/35x3 Zn		1
18	150405207-MEFRO	Wheel 15x6.00		1
19	150257000	Tyre 15x6.00-6 4 PR		1
20	150257108	Pneumatics 15x6		1
21	150405305	Rim 4.5x6.00		1
22	000255208	Bearing KR 6205 2 RS		2
23	155472507	Cover Ø52 MEFRO		1
24	150381508	Bolt KSB 65		1
25	150299803	Pin 8x45		1

Fig D



No. on the figure Numer anzeichn.	Catalogue no. Katalog nummer	Description	Benennung	Quantity Stück
1	153832106-343.70.001.0	Link		1
2	154173209-390.07.001.0	Frame		1
3	154032406-381.70.001.0	Bar		2
4	154032905-381.70.006.0	Bracket		1
5	154032200-372.70.006.0	Bar		1
6	151479901-590.05.024.0	Washer		2
7	150405207-MEFRO	Wheel 15x6.00		4
8	150257000	Tyre 15x6.00-6 4PR		4
9	150257108	Pneumatics 15x6		4
10	150405305	Rim 4.5x6.00		4
11	000255208	Bearing KR 6505 2,RS		8
12	155472507	Cover Ø52 MEFRO		4
13	150257304	Washer 13		6
14	000224304	Washer A10		4
15	000230100	Washer A10		4
16	000228202	Washer B8		4
17	000210300	Screw M10x25 8.8		4
18	150399009-SAVA PTUJ	Bumper 86970		4
19	000220905	Nut M8 8 Zn		4
20	000240000	Cotter 5x32 Zn		2
21	150406803-INA	Sleeve PAP 30 30 P 10		4
22	150087202	Screw M12x25 8.8 Zn		6
23	153815802-372.20.014.0	Nut Zn		1
24	153816507-372.20.022.0	Nut		1
25	153832507-343.70.005.0	Screw M24		1
26	153832605-343.70.006.0	Screw M24		1
27	151803702-330.01.096.0	Bolt		1
29	000239003	Cotter 4x25		4
30	152705709-343.04.025.0	Bolt 5		1
31	151233702-TN 01	Washer 20,5/36x2		2
32	151058303-TN 01	Washer 16,1/26x1		4
33	000240000	Cotter 5x32 Zn		2

Fig E

